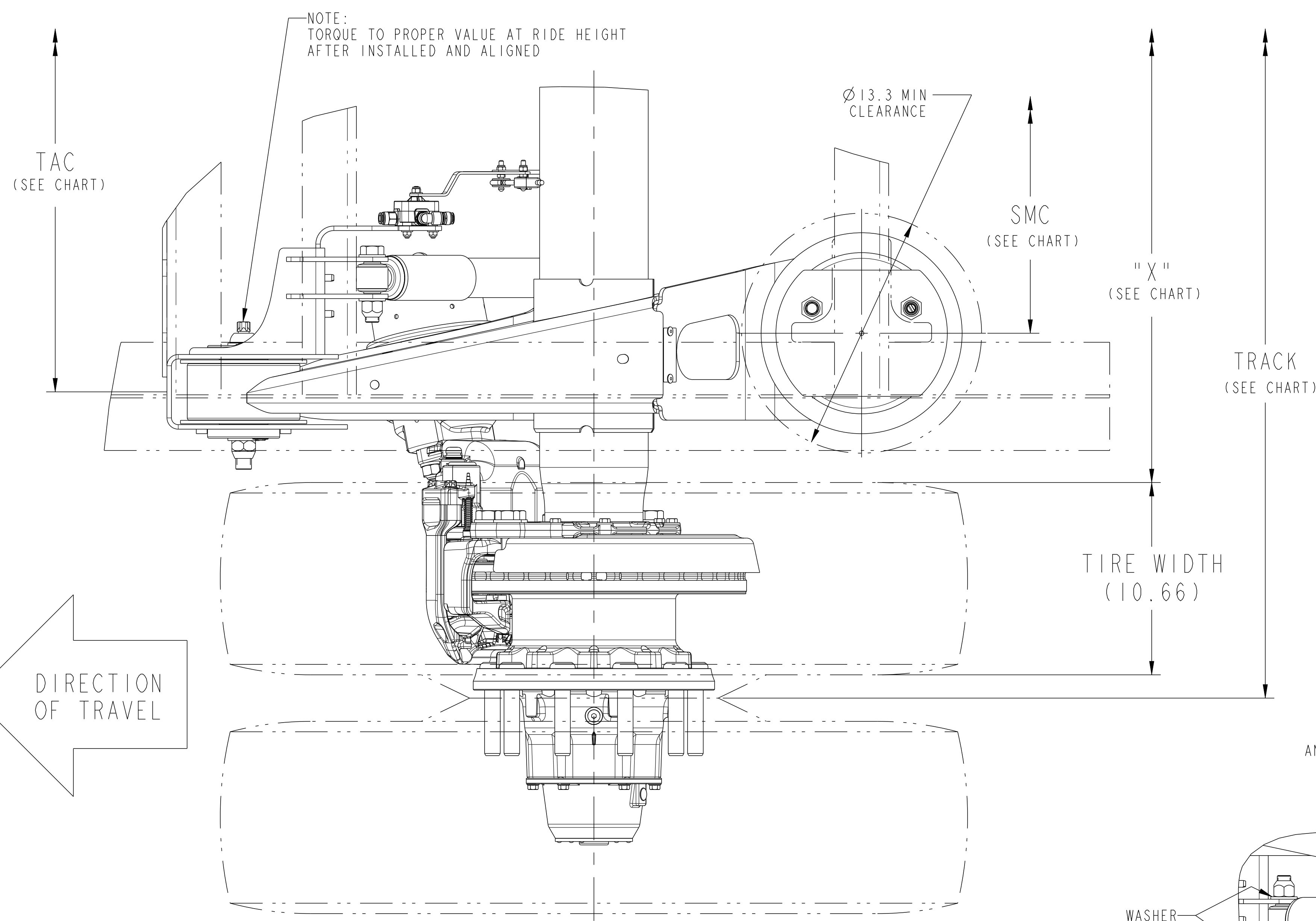
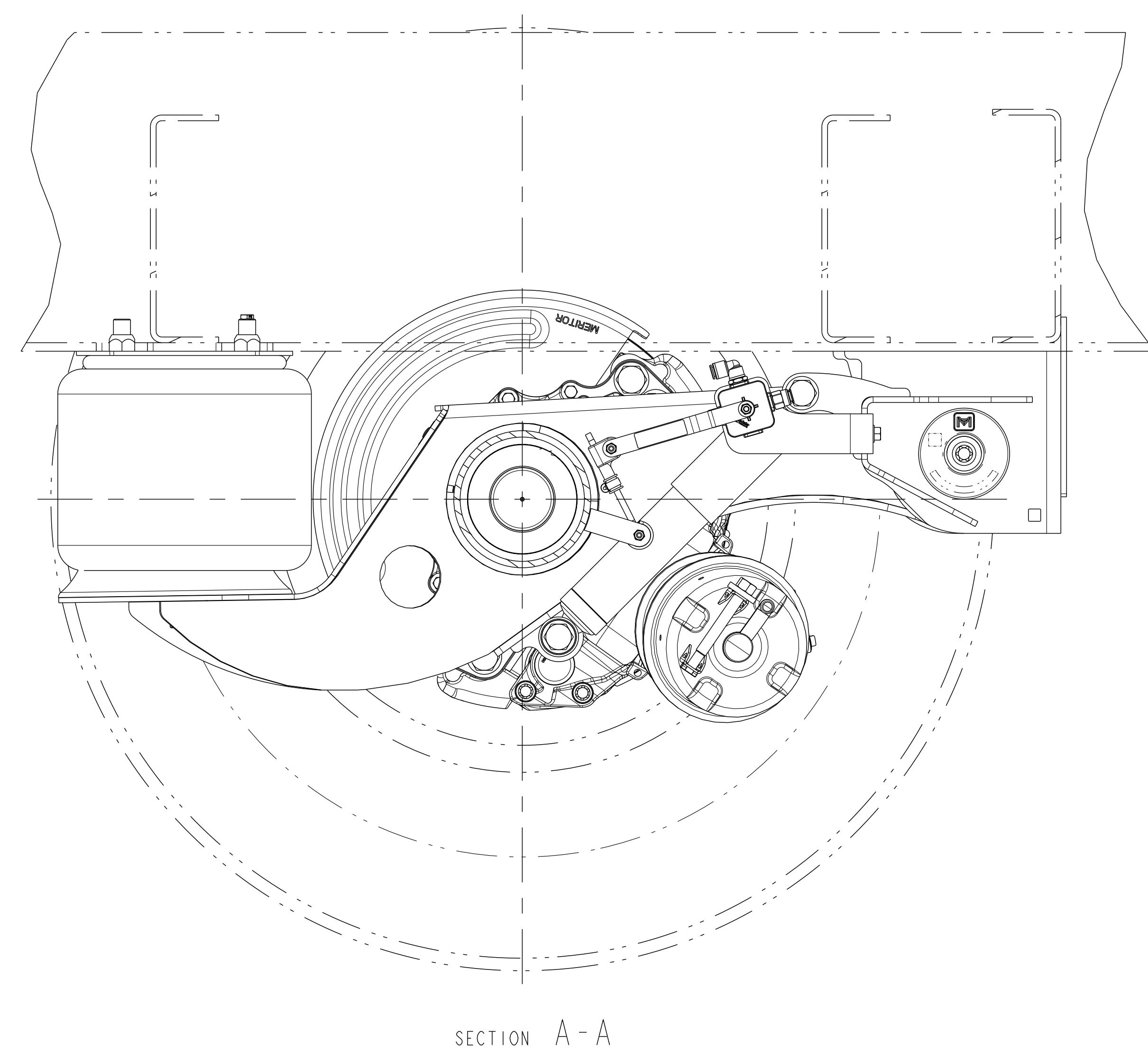
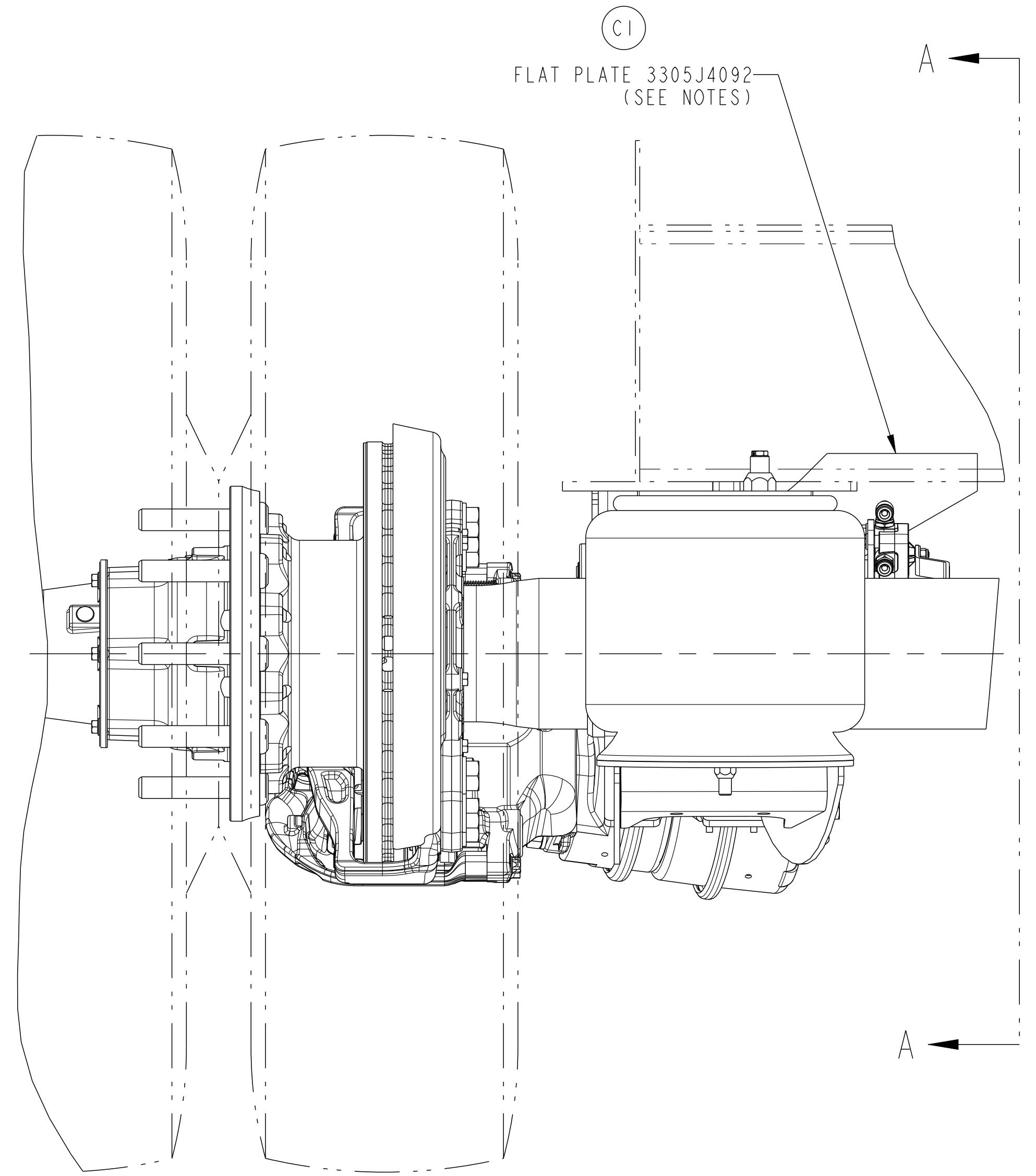
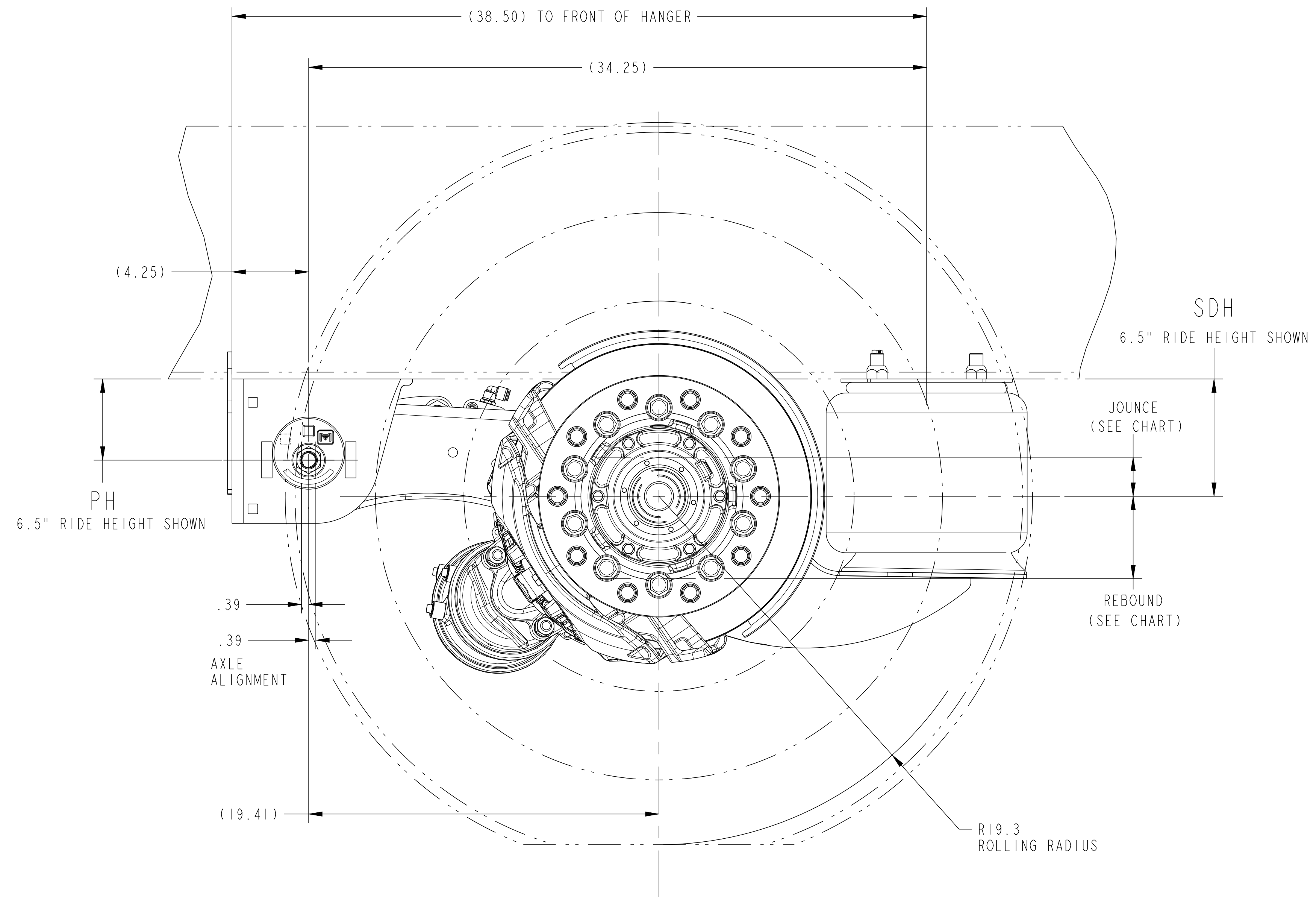
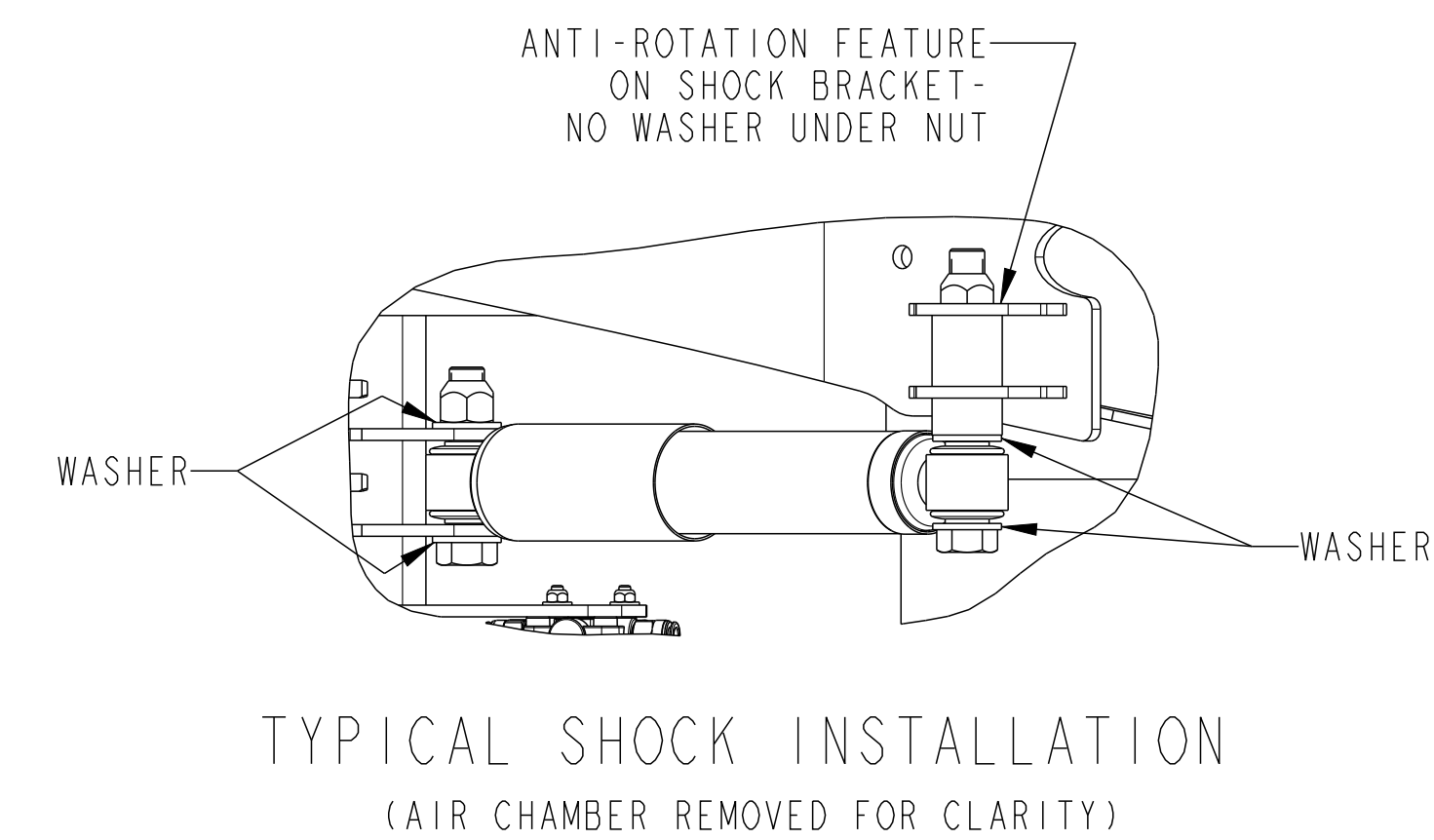
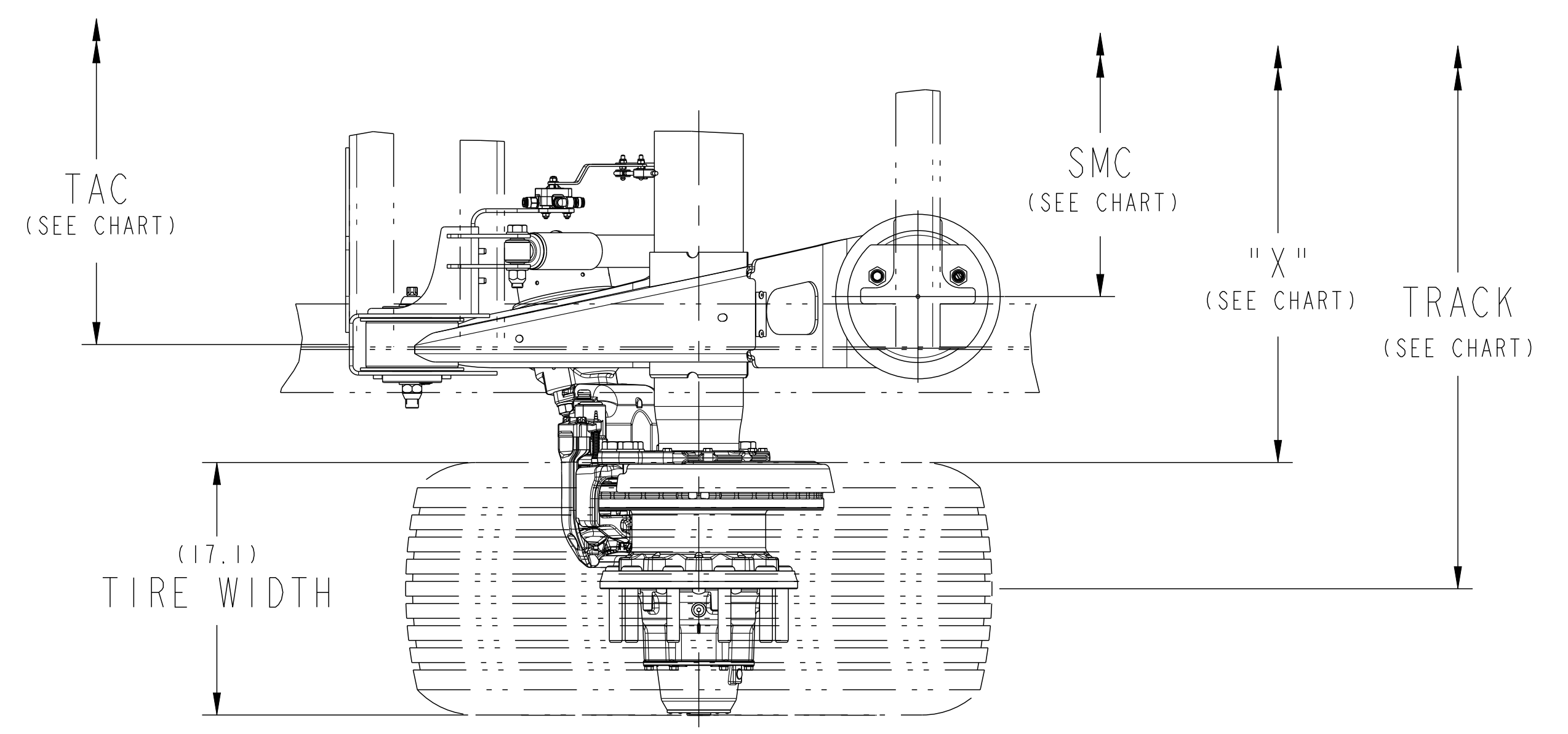


Revision: C.3
 STATE: Engineering Released
 EXPORT_CONTROL: HARD_WARE=EAR - EAR99, EXPORT_CONTROL=EAR - EAR99



APPLICATION	TRACK	"X" REF.	SMC	TAC
DUAL WHEEL	71.5	46.4	31.0	37.5
DUAL WHEEL	77.5	52.4	37.0	43.5
SUPER SINGLE	83.5	58.4	43.0	49.5

5-70010H			
REVISIONS			
A	INITIAL RELEASE OF 5-70010F	ECN-166379 17-JUN-20	MDM SS
B	1-EX225+LS DISC BRAKE PART NUMBERS WERE EX225S201CG000S AND EX225S202CG000S	ECN-175773 24-FEB-21	VMJ CH
	2-EX225+L DISC BRAKE PART NUMBERS WERE EX225L271CD000S AND EX225L272CD000S		
C	1-UPDATED LAYOUT TO SHOW THE FLAT PLATE BRACES	ECN-179606 13-OCT-21	VMJ CH
	2-ADDED NOTE		



NOTES:

PROPER VEHICLE FRAME DESIGN IN THE AREA OF SUSPENSION ATTACHMENT IS THE RESPONSIBILITY OF THE INSTALLER.

SUSPENSION SERIES: MTA-TEC6-23L

SUSPENSION STATIC DESIGN CAPACITY = 23,000 LBS.

● RATING BASED ON APPLICATION APPROVAL.

RATINGS FOR THE COMPONENTS WITHIN AN INDIVIDUAL MERITOR SUPPLIED SUSPENSION ASSEMBLY, INCLUDING BRAKES, HUBS, AND BEARINGS, MAY VARY AND MAY NOT BE EQUAL TO THE NOMINAL SUSPENSION RATING.

NO WELDING OR DRILLING ALLOWED ON TRAILING ARMS. NO WELD WITHIN .25" OF FRAME BRACKET TOOLING HOLES.

● C2 FLAT PLATE 3305J4092 IS RECOMMENDED FOR 6.5" THROUGH 12.0" RIDE HEIGHTS ONLY.

PH	SDH	RIDE HEIGHT	JOUNCE AT BUMPER CONTACT	REBOUND
4.5	6.5	6.5"	1.75	4.98
4.5	7.5	7.5"	2.75	3.98
4.5	8.0	8"	3.25	5.0
4.5	9.0	9"	4.25	4.0
8.0	13.5	12"	4.64	4.5
10.0	14.0	14"	5.02	4.5
10.0	15.0	15"	4.91	3.5
12.0	16.0	16"	5.02	4.5
12.0	17.0	17"	5.29	3.5

FOR FINAL INSTALLATION TO TRAILER REFER TO 5-70009B

REFER TO SHOP CHART 4-60559_43 FOR TORQUE INFORMATION

DATA BASED ON:
 DUAL TIRE SIZE: 11R22.5
 WHEEL OFFSET: 6.62

SINGLE: TIRE SIZE 445/50R22.5
 WHEEL OFFSET: .56

DISC BRAKE INFORMATION		
COMPONENT	ROADSIDE	CURBSIDE
EX+L	EX225L271CG000	EX225L272CG000
TORQUE PLATE	3215J2740	3215J2740
EX+LS	EX225S203CG000	EX225S204CG000
TORQUE PLATE	3215Z2756	3215Z2756

MTA-TEC6-23L WITH EX-225 DISC BRAKE FOR WELD-ON HANGER APPLICATION

APPLY SPECIFIED MERITOR MARKINGS PER DRAFTING ENGINEERING STANDARDS D-604	THIS PRINT IS LOANED ON A CONFIDENTIAL BASIS SUBJECT TO RETURN UPON DEMAND BY MERITOR AND NOTHING HEREON MAY BE REPRODUCED, USED OR DISCLOSED IN WHOLE OR IN PART WITHOUT THE PRIOR WRITTEN PERMISSION OF MERITOR.	MATERIAL	PROCESS	PROJECT ENGINEER S. SATAM	3RD ANGLE PROJECTION	DRAWING SIZE E	RELEASE ECN-166379	PART/DWG NO. 5-70010F	04627
SEE BILL OF MATERIAL FOR SPECIFIC INDIVIDUAL MODEL INFORMATION				DRAWN BY M. MARCETTI	DRAWING S-70010F C.3	MODEL 5-70010F C.3	NAME MTA-TEC6-23L SERIES GROUP		ENG. DESG. CODE
				CHECKED BY S. SATAM			TRAILERS NA	DESIGN CONTROL GROUP	MERITOR INCH
4 IN. 10THS. WEIGHT RGR./FIN.		ORIGINAL FOR LBS MTA-TEC6-23L		SCALE 1:4	CHANGE REQUEST # CR-133500	SHEET 1 OF 1			

DO NOT CHANGE MANUALLY