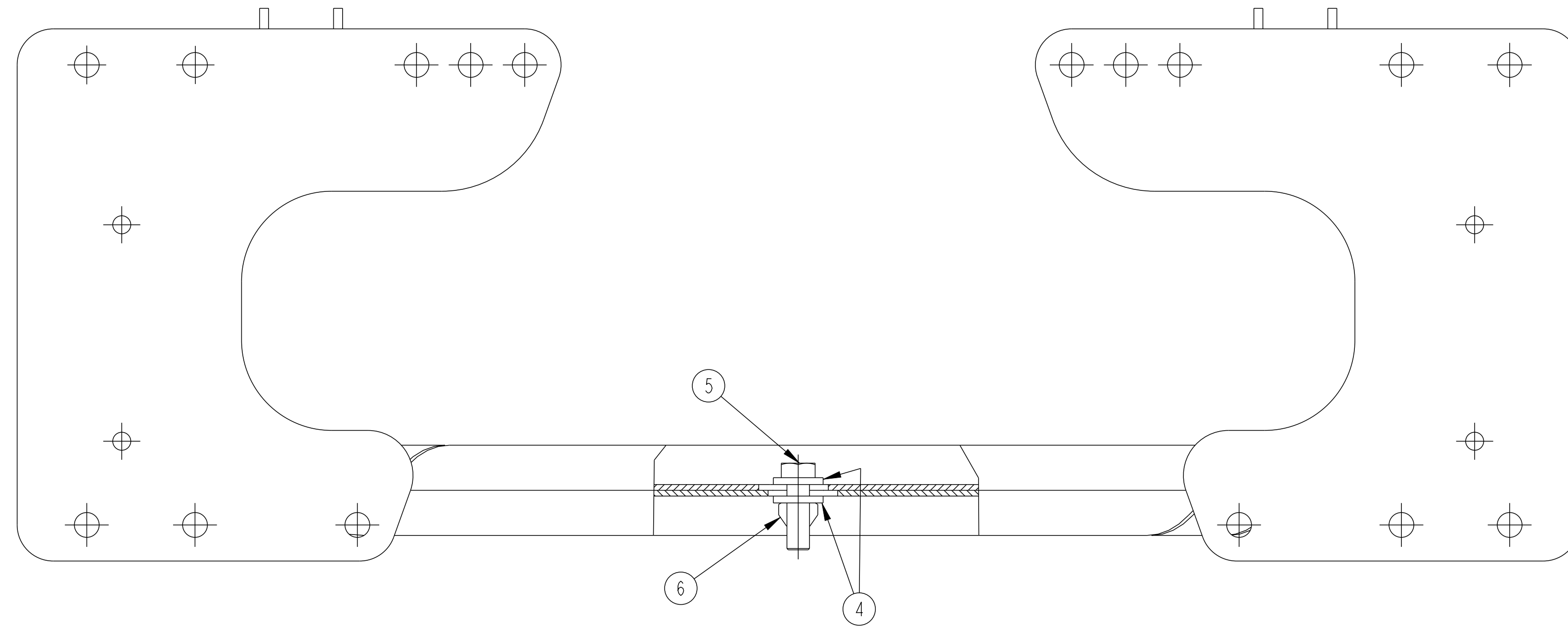


INSTALLATION INSTRUCTIONS FOR L-BRACE

- 1) MOUNT FRAME BRACKETS TO TRAILER FRAME USING LOOSELY INSTALLED HARDWARE
- 2) MOUNT FIRST L-BRACE WITH THE FLANGE FACING REARWARD, USING LOOSELY INSTALLED HARDWARE
- 3) MOUNT SECOND L-BRACE WITH THE FLANGE FACING FORWARD, USING LOOSELY INSTALLED HARDWARE
- 4) TIGHTEN FRAME BRACKET HARDWARE
- 5) TIGHTEN L-BRACE HARDWARE
TIGHTEN THE FOUR OUTER BOLTS FIRST, AND THE CENTER BOLT LAST



SECTION C-C

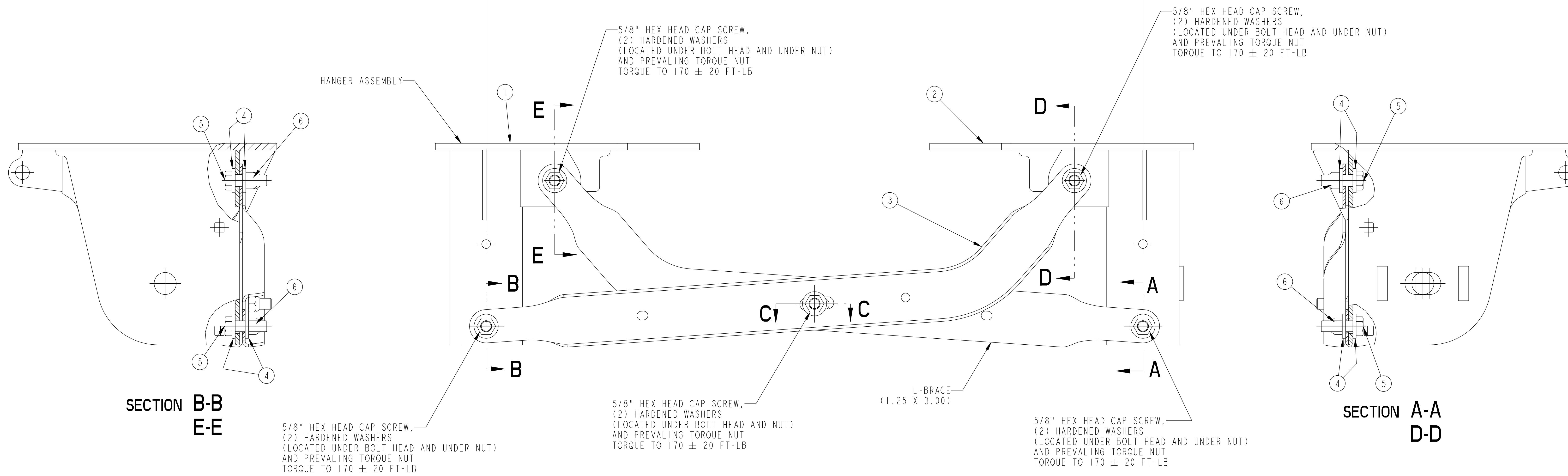
| SIM. PARTS | | 5-69116 & 5-69116A | |
|------------|--|-------------------------|-----------|
| REVISIONS | | | |
| A | INITIAL RELEASE OF 5-69116C | ECN-166073 07-FEB-20 | VMJ CH |
| B | NL-210-M-1 WAS NL-210-M-2 | ECN-166585 13-FEB-20 | CH DL |
| C | UPDATED COMPONENTS TO LATEST REVISIONS | ECN-175029 20-JAN-21 | CH SS |

"TAC" FOR MTA-TEC6-23T/L APPLICATIONS

- 37.50 ± .06 (71.5 TRACK WIDTH)
- 43.50 ± .06 (77.5 TRACK WIDTH)
- 49.50 ± .06 (83.5 TRACK WIDTH)

"TAC" FOR OTHER MTA APPLICATIONS

- 35.00 ± .06 (71.5 TRACK WIDTH)
- 41.00 ± .06 (77.5 TRACK WIDTH)
- 47.00 ± .06 (83.5 TRACK WIDTH)



SECTION B-B
E-E

SECTION A-A
D-D

| GUSSET PLATE INFO. | | | |
|--------------------|-------|-----------------------------------|--------------|
| MODEL | TAC | RH | GUSSET PLATE |
| MTA-TEC6-23T & L | 49.50 | T=ALL L=12"14"15" 16"17" | 3305J4976 |
| MTA-TEC6-23T & L | 43.50 | T=ALL L=12"14"15" 16"17" | 3305H4974 |
| MTA-TEC6-23T & L | 37.50 | T=ALL L=12"14"15" 16"17" | 3305G4973 |
| MTAxxT & L | 47.00 | T=ALL L=12"14"15" 16"17"19" | 3305F4972 |
| MTAxxT & L | 41.00 | T=ALL L=12"14"15" 16"17"19" | 3305E4971 |
| MTAxxT & L | 35.00 | T=ALL L=12"14"15" 16"17"19" | 3305D4970 |

| BOLT-ON HANGER SUPPORT COMPONENTS | | | | |
|-----------------------------------|-----------------|----------------------------|---------------------|-----|
| ITEM # | PART NAME | DESCRIPTION | MERITOR PART NUMBER | QTY |
| 1 | FRAME BRKT ASSY | SEE BOM | SEE BOM | 1 |
| 2 | FRAME BRKT ASSY | SEE BOM | SEE BOM | 1 |
| 3 | GUSSET PLATE | SEE GUSSET PLATE TABLE | SEE BOM | 2 |
| 4 | WASHER-FLAT | 5/8" HARDENED FLAT WASHER | 1229N1626 | 10 |
| 5 | SCREW-CAP | 5/8-11 X 2.00 GRADE 8 BOLT | S-21016-M-2 | 5 |
| 6 | NUT-LOCK,FIN | 5/8-11-UNC-2B GRADE C | NL-210-M-1 | 5 |

APPLY SPECIFIED MERITOR MARKINGS TO DRAFTING ENGINEERING STANDARDS D-004

THIS PRINT IS LOANED ON A CONFIDENTIAL BASIS SUBJECT TO RETURN UPON DEMAND BY MERITOR AND NOTHING HEREON MAY BE REPRODUCED, USED OR DISCLOSED IN WHOLE OR IN PART WITHOUT THE PRIOR WRITTEN PERMISSION OF MERITOR.

MATERIAL: -
PROCESS: -

PROJECT ENGINEER: DUY LAM
DRAWN BY: VAIBHAV JADHAV
CHECKED BY: CRAIG HOLT

DESIGN CONTROL GROUP: TRAILER NA

3RD ANGLE PROJECTION
DRAWING: 5-69116C C.3

CHANGE REQUEST # CR-137608

SCALE: 2:5
SHEET: 1 OF 1

APPLIES TO MTA-TEC6-23T & L, MTA23T & L, MTA25T & L AND MTA30T & L (MTA-TEC6-23T SHOWN)

| | | |
|-----------------------|-----------------------------------|-----------------|
| ECN-166073 | PART/DWG NO. 5-69116C | 00050 |
| RELEASE | NAME L-BRACE INSTALLATION DRAWING | ENG. DESG. CODE |
| | | INCH |
| DRAWING: 5-69116C C.3 | MODEL: 5-69116C C.2 | SHEET: 1 OF 1 |

Revision: C.3

STATE: Engineering Released

EXPORT_CONTROL: HARD_WARE=EAR - EAR99.EXPORT_CONTROL=EAR - EAR99

DO NOT CHANGE MANUALLY